



Right hand opening shown



« Click Fixx » fixing system



Soft stop (optional)

Lemans II: better performance, easier to install.



Products features

- Easy to order, offered in complete set: hardware, post and 2 trays in a single box.
- Shelves available in trendy finishes : Maple/Chrome and Grey/Chrome.
- CARB certified melamine shelves with anti-slip coating.
- Suitable for frameless cabinets, as well as face frame cabinets.
- To avoid any protrusion with adjacent cabinet handles for example, Le Mans II pulls completely out with a 85 degree door opening angle.
- Available for right and left opening.
- 25kg (55lb) weight capacity per shelf.
- Soft stop can be ordered as an option
- Spacer to be ordered separately if required for face frame cabinet application (see mounting instructions).
- The shelves are easily height adjustable.
- Trays can be moved out individually and completely
- The restrictor is fixed underneath the shelf and attached to the arm. It allows to reduce the opening of the shelf of around 20% and then to avoid shocking with the adjacent appliances.



693630 Restrictor

Some solutions just make more of corner space than others!

Le Mans II combines optimal space utilisation with a clear overview and beautiful action. You can store a lot of pots, pans, plates and each one is always in easy reach.

No more space wasted, Lemans is the answer if you set store by efficiency combined with stunningly good looks!

Often imitated, never equalled!

Description	Chrome/Maple	Chrome/Gray
Set Lemans II 400mm right	6936140150	6936140100
Set Lemans II 400mm left	6937140150	6937140100
Set Lemans II 450mm right	6930140150	6930140100
Set Lemans II 450mm left	6931140150	6931140100
Set Lemans II 500mm right	6932140150	6932140100
Set Lemans II 500mm left	6933140150	6933140100
Set Lemans II 600mm right	6934140150	6934140100
Set Lemans II 600mm left	6935140150	6935140100

Accessories

Code	Description	Finish
6930100	Spacer grey for face frame cabinets	Grey
693630	Restrictor	White
693802100	Soft stop right	Grey
693803100	Soft stop left	Grey

With the new version, you don't need to order an extra post as they are included in the box.

Installation dimensions requirements: see next pages.
Usage of #6930100 , see mounting instructions.

Technical informations

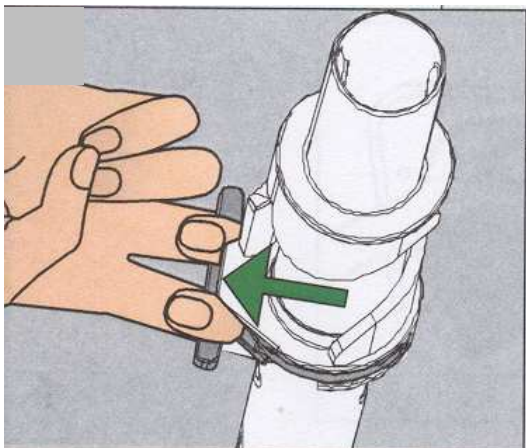
Hardware mounting



Arms mounting on the post



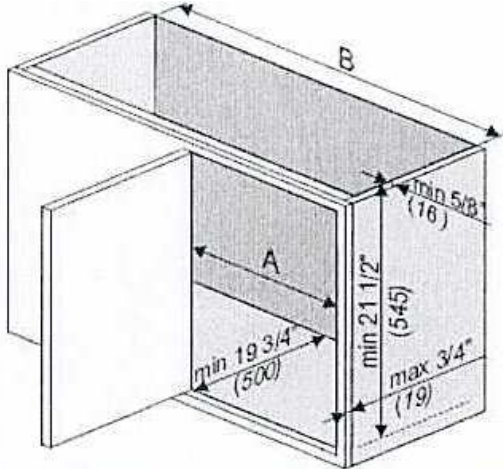
Arms mounting on the standard






Height adjustment by pulling on the spring trigger.

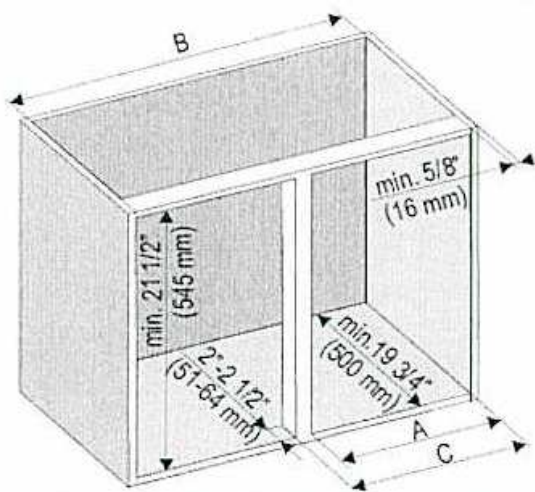





Here is the completed system ready to use.



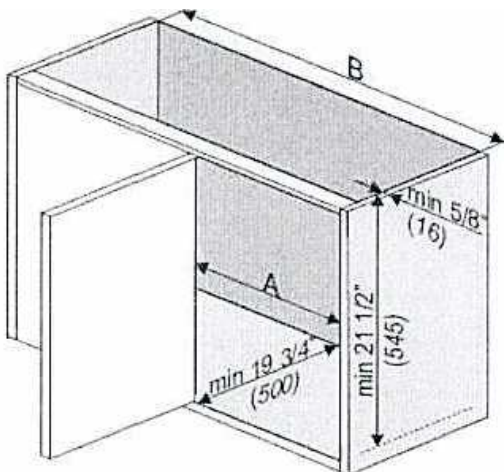
		A	B
	LeMans 45	min. 16 1/8" (410 mm)	min. 32 1/4" (820 mm)
	LeMans 50	min. 17 3/4" (450 mm)	min. 36 1/4" (920 mm)
	LeMans 60	min. 21 1/4" (540 mm)	min. 38" (965 mm)




Face frame cabinets
Without center stile



		A	B	C
	LeMans 45	min. 16 1/2" (419 mm)	min. 32 1/4" (820 mm)	max. 19" (483 mm)
	LeMans 50	min. 18 3/8" (467 mm)	min. 36 1/4" (920 mm)	max. 21 1/4" (540 mm)
	LeMans 60	min. 22 1/4" (565 mm)	min. 38" (965 mm)	max. 25" (635 mm)

Frameless cabinets
With center stile



		A	B
	LeMans 45	min. 16 1/2" (419 mm)	min. 32 1/4" (820 mm)
	LeMans 50	min. 18 3/8" (467 mm)	min. 36 1/4" (920 mm)
	LeMans 60	min. 22 1/4" (565 mm)	min. 38" (965 mm)

Frameless cabinets
Without center stile